



**Quotation date:** \_\_\_\_\_  
**Consultation was carried out by**  
**Staff at the medical supplies shop:** \_\_\_\_\_

**Order date:** \_\_\_\_\_  
according to GTC PRO ACTIV Reha-Technik GmbH

**Medical suppliers / company address:**

Cust. no.: \_\_\_\_\_  
Name: \_\_\_\_\_  
Street: \_\_\_\_\_  
Postcode / city: \_\_\_\_\_  
Phone: \_\_\_\_\_  
Fax: \_\_\_\_\_  
E-Mail: \_\_\_\_\_  
Contact: \_\_\_\_\_

**Shipping address:**  **same as company address**  
 **Other (see below)**

Name: \_\_\_\_\_  
Street: \_\_\_\_\_  
Postcode / city: \_\_\_\_\_

**Customer name / commission:**

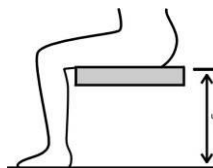
Surname, forename: \_\_\_\_\_  
Street: \_\_\_\_\_  
Postcode / city: \_\_\_\_\_  
Phone: \_\_\_\_\_  
Fax: \_\_\_\_\_  
E-Mail: \_\_\_\_\_  
D.O.B: \_\_\_\_\_  
Paying organisation: \_\_\_\_\_

**TRAVELER 4you Ergo**  
**Equipment "Edition PURE"**  
**extra light equipment with a total wheelchair**  
**weight from 10 kg**  
**with individual frame geometry according to**  
**dimension, adjustable chassis**

A9030105000 € 5,690.00

**Invoicing address:**  **same as company address**  
 **other (see below)**

Cust. no.: \_\_\_\_\_  
Name: \_\_\_\_\_  
Street: \_\_\_\_\_  
Postcode / city: \_\_\_\_\_  
Phone: \_\_\_\_\_  
Fax: \_\_\_\_\_  
E-Mail: \_\_\_\_\_  
Contact: \_\_\_\_\_



Body height: \_\_\_\_\_ cm

Weight: \_\_\_\_\_ cm

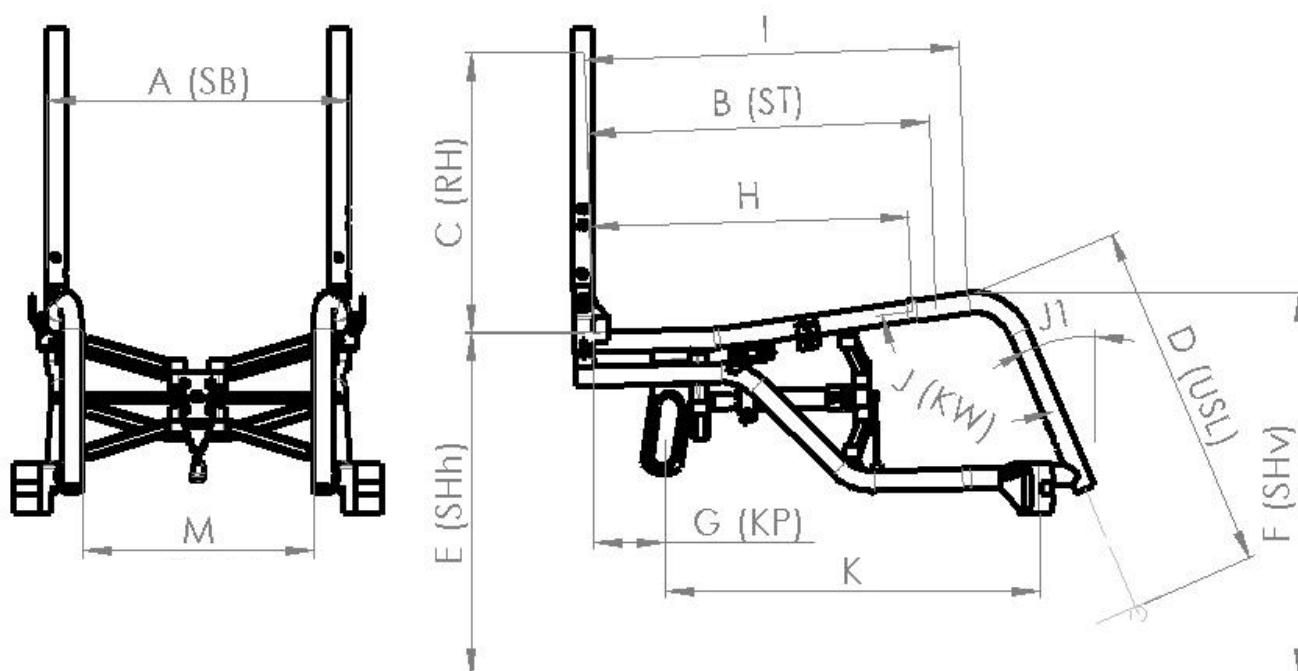
Lower leg length: \_\_\_\_\_ cm

(anatomic dimension: hollow of the knee to the foot sole)

Indication: \_\_\_\_\_

This information is necessary for checking. If the information is missing, a check of the relevant items cannot be made!

## Basic size



### Wheelchair dimensions:

<p><b>A: SB</b> Seat width _____ cm (min. 33 – max. 42 cm)</p> <p><b>B: ST</b> Seat depth _____ cm (min. 35 cm)</p> <p><b>C: RH</b> Back height _____ cm (from RH 22 cm)</p> <p><b>D: USL</b> Lower leg length _____ cm</p> <p><b>E: SHh</b> Seat height back _____ cm (min. 39 – max. 47 cm) for 24" drive wheels</p> <p><b>F: SHv</b> Seat height front _____ cm (min. 42 – max. 52 cm)</p> <p><b>G: KP</b> Tipping point _____ cm (front side rear tube to axis middle drive wheel) (KP min. 3 – max. 11 cm)</p> <p>Mounting wheelbase extension from KP 7 cm possible</p>	<p><b>H: Start frame retraction</b> _____ cm (from ST 34 cm possible) (I – min. 6 cm)</p> <p><b>I: Frame length to the front frame bend</b> _____ cm (min. 41 cm – max. 50 cm) (min. ST - 1 cm)</p> <p><b>J: KW</b> Knee angle _____ ° (from 90°)</p> <p><b>or</b></p> <p><b>J1: Angle of the front Framework tube to vertical</b> _____ ° (recommended &gt; 10°)</p> <p><b>K: Position of the steering wheel bearing block</b> _____ cm</p> <p>Front end</p> <p><input type="checkbox"/> Straight (without retraction) USL-width = SB – 5 cm</p> <p><input type="checkbox"/> V-shape (7°)</p> <p><input type="checkbox"/> with frame retraction Front end parallel, G-shape USL-width min. SB - 11 cm Please specify the USL-width:</p> <p><b>M: Lower leg width</b> _____ cm</p>
-----------------------------------------------------------------------------------------------------------------------------------------------------------------------------------------------------------------------------------------------------------------------------------------------------------------------------------------------------------------------------------------------------------------------------------------------------------------------------------------------------------------------------------------------------------------------------------------------------------------------	----------------------------------------------------------------------------------------------------------------------------------------------------------------------------------------------------------------------------------------------------------------------------------------------------------------------------------------------------------------------------------------------------------------------------------------------------------------------------------------------------------------------------------------------------------------------------------------------------------------------------------------------------------------------------------------------------------------------------------------------------------------------------------------------------------------------------

**Dimensional tolerances according to DIN EN ISO 13920 apply for the design (dimensions in mm)**

Degree of accuracy	Up to 30	More then 30 to 120	More then 120 to 400	More then 400 to 1000
<b>C</b>	+/- 1	+/- 3	+/- 4	+/- 6

## Frame colour - one-colour design

Information on current colour designs and example images at: [www.proactiv-gmbh.de/farben.php](http://www.proactiv-gmbh.de/farben.php)

### Frame colour: Selection from colour palette

Frame colour will be specified with order

A9000100170-000

Raw, blasted, not coated

A9000100170-020

Note: In combination with moisture e.g. hand perspiration, can affect dark aluminum discoloration.

### Powder colours

**White RAL 9016**

gloss A9000100170-023

matt A9000100170-123 € 42.10

**Brilliant silver**

gloss A9000100170-011

**Anthracite RAL 7016**

gloss A9000100170-001

matt A9000100170-101 € 42.10

**Black RAL 9005**

gloss A9000100170-003

matt A9000100170-019 € 42.10

**Pure orange RAL 2004**

gloss A9000100170-022

matt A9000100170-122 € 42.10

**Pink magenta RAL 4010**

gloss A9000100170-037

matt A9000100170-137 € 42.10

**Pastel blue RAL 5024**

gloss A9000100170-036

matt A9000100170-136 € 42.10

**Lemon green**

gloss A9000100170-005

matt A9000100170-105 € 42.10

**Yellow RAL 1023**

gloss A9000100170-046

matt A9000100170-146 € 42.10

**Red RAL 3001**

gloss A9000100170-047

matt A9000100170-147 € 42.10

**Lagoon blue**

gloss A9000100170-052

matt A9000100170-152 € 42.10

**Athletic grey**

gloss A9000100170-050

matt A9000100170-150 € 42.10

**Muddy grey**

gloss A9000100170-051

matt A9000100170-151 € 42.10

### Powder colours „Dormant“

**Deep black effect silver**

gloss A9000100170-007

**Sky blue**

gloss A9000100170-017

**Navy blue**

gloss A9000100170-045

matt A9000100170-145 € 42.10

**Electric green**

gloss A9000100170-015

matt A9000100170-115 € 42.10

**Violet**

gloss A9000100170-044

**Fire red**

gloss A9000100170-018

matt A9000100170-118 € 42.10

## Frame colour - One-colour design special colours “liquid coating”

€ 339.40

**Storm (ice blue)**

gloss A9000100170-500

matt A9000100170-501

**Coffee**

gloss A9000100170-520

matt A9000100170-521

**Prairie (rose gold)**

gloss A9000100170-504

matt A9000100170-505

**Pearl (mother of pearl-white)**

gloss A9000100170-524

matt A9000100170-525

**Berry**

gloss A9000100170-526

matt A9000100170-527

**Blue ocean**

gloss A9000100170-522

matt A9000100170-523

**Emerald**

gloss A9000100170-514

matt A9000100170-515

**Mint**

gloss A9000100170-528

matt A9000100170-529

**Chili**

gloss A9000100170-516

matt A9000100170-517

## Frame colour - Two-colour design

Note: In the two-colour design, both colours are the same gloss level as the design colour.

**Two-colour design with one base colour (on the rear frame) and one design colour (on the front frame)** € 260.70

Please select a color from below:

### Base colour (on the rear frame)

#### White RAL 9016

A9000100170-200

#### Brilliant silver

A9000100170-201

#### Anthracite RAL 7016

A9000100170-202

#### Black RAL 9005

A9000100170-203

#### Pastel blue RAL 5024

A9000100170-206

#### Lemon green

A9000100170-207

#### Yellow RAL 1023

A9000100170-208

#### Lagoon blue

A9000100170-212

#### Athletic grey

A9000100170-210

#### Muddy grey

A9000100170-211

### Design colour (on the front frame)

#### Black RAL 9005

gloss A9000100170-259

matt A9000100170-260

#### Lemon green

gloss A9000100170-250

matt A9000100170-251

#### Chili

gloss A9000100170-253

matt A9000100170-254

#### Pure orange RAL 2004

gloss A9000100170-255

matt A9000100170-256

#### Coffee

gloss A9000100170-278

matt A9000100170-279

#### Mint

gloss A9000100170-286

matt A9000100170-287

#### Emerald

gloss A9000100170-274

matt A9000100170-275

#### Storm (ice blue)

gloss A9000100170-264

matt A9000100170-265

#### Prairie (rose gold)

gloss A9000100170-266

matt A9000100170-267

#### Pearl (mother of pearl-white)

gloss A9000100170-282

matt A9000100170-283

#### Berry

gloss A9000100170-284

matt A9000100170-285

#### Blue ocean

gloss A9000100170-280

matt A9000100170-281

## Colour - Attachment parts

Note: If not specified, the caster fork and bearing block will be mounted in black.

### Drive wheel: aluminum rim, hub and spokes

Black A9000100171-003

### Caster fork and bearing block

Silver A9000100173-011

Black A9000100173-003

## Colour design of attachment parts according to customer request:

### Drive wheel: Aluminium rim and design inlet<sup>1</sup>

Frame colour A9000100171-999 € 242.30

Select from one-colour design (different from the frame color) A9000100171-998 € 280.50

Colour: \_\_\_\_\_

A9000100170-

### Caster wheel: 5" aluminium rim<sup>2</sup> (3-spoke design)

Frame colour A9000100174-999 € 73.00

Select from one-colour design (different from the frame color) A9000100174-998 € 84.60

Colour: \_\_\_\_\_

A9000100170-

## Special colour requests (frame or attachment parts)

### Frame colour for single purchasing Selection from RAL colour palette

A9000100170-100 € 402.30

### Gloss level

gloss

matt

### colour name

\_\_\_\_\_

### RAL number

\_\_\_\_\_

**Note:** attachment parts are **not** possible in design colors

<sup>1</sup> Only in conjunction with Liteline hub (with drive wheel aluminum rim with 18 or 36 spokes, single rim)

<sup>2</sup> Only in conjunction with caster wheel 5" aluminum rim 3-spoke design good shock absorption A900050121\*, as well as with suspension fork 5-spoke design A9000500160\*

# - Equipment package

A9030105000-010

€ 1,459.50

With the "PURE" equipment package, the product is approved up to 100 kg load.

**The package includes the following backrest equipment, clothing guard, seat upholstery, brake system and footrest for TRAVELER pure:**

**Carbon side panel, with integrated clothing guard**



A9015400028

Clothes guard and side panel in one piece, individually manufactured. Backrest permanently bolted, cannot be folded, backrest angle 90° to the floor, adjustable in 5 positions in 4° steps, wheel cover runs contour-parallel to the drive wheel tyres at a distance of approx. 8 - 12 mm.



**Adaptable back with back padding „light“**



A9000802320-K002

Back padding with extra thin padding for easy, space-saving folding of the wheelchair.  
Cover: Black, breathable, open surface  
Cushion thickness: 9 mm  
Equipment without back cross bar



**Open belt system**



A9000801011-K



**Integral handbrake**



A9035705000

Brake lever fixed under the upper frame tube



**Footrest without protrusion, rounded**



A9000610015

Lightweight design with radius end (R 12 mm) in the front area and without protrusion to reduce the overall wheelchair length by 30 mm to improve vehicle loading.  
Depth: 15 cm



## Push handles

### Equipment without push handles

A9000401000



### Back tube with integrated handles

A9000401051-K  
extra weight: ca. 80g  
straight € 126.60

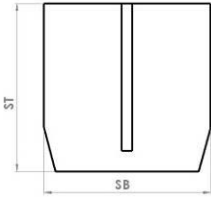


### Aluminum push handles fixed in back tube

A9000401050  
extra weight: ca. 230g  
from RH 23 cm € 126.60

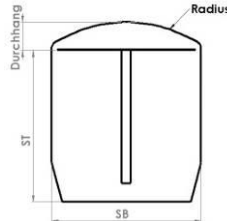


## Seat cushion



### Seat cushion for individual frame geometry in rectangular contour Inlet: Standard

A9000805190-K € 156.70



### Seat cushion for individual frame geometry with radius contour Inlet: Standard

A9000805320-K € 200.10

### Seat cushion for individual frame geometry in rectangular contour Inlet: Anti-Decubitus

A9000805210-K € 467.40

### Seat cushion for individual frame geometry with radius contour Inlet: Anti-Decubitus

A9000805310-K € 510.40

### Seat cushion height:

3 cm       5 cm  
 4 cm       6 cm

### Seat cushion height:

4 cm  
 6 cm

### Cover:

Black, breathable, open surface

Black, breathable, closed surface

If no specification is made, the cover material "Black, breathable, open surface" will be delivered.

Seat cushion is existing

## Wheel camber

\*Total width with tight-mounted handrim.

### 1° drive wheel camber

A9030202010  
Total width = approx. SB + 20 cm\*

### 2,5° drive wheel camber

A9016202051  
Total width = approx. SB + 23 cm\*

### 4° drive wheel camber

A9030202030  
Total width = approx. SB + 26 cm\*

## Footrest

If not specified, the "continuous footrest" will be delivered.

### Continuous footrest

A9030601000-K  
with tubular resting bracket, foldable, removable  
When folding the wheelchair, the footrest also folds completely from USL 37 cm.  
With foot support area x < 22 cm the foot bracket is designed to be parallel.



### Footrest folds up to the rear with spring locking mechanism

A9035602005-K\* € 342.90  
extra weight: ca. 94g  
removable, with continuous tubular resting bracket  
for KW 105° from USL 39 cm  
for KW 95° from USL 38 cm





## Caster wheels & caster fork

### 5" aluminum rim 3-spoke design "good shock absorption"



Silver anodised  
A9000501210 € 174.60  
**weight: 252 g/Stk.**

Black  
A9000501211 € 174.60  
**weight: 252 g/Stk.**

with replaceable rubber 6 mm medium hard,  
puncture-proof  
Incl. hair guard spacer (3 mm)



### Frog Legs caster wheel



4" (100 mm)  
A9000501230 € 206.30  
**weight: 179 g/Stk.**

5" (125 mm)  
A9000501232 € 206.30  
**weight: 278 g/Stk.**

with replaceable rubber 6 mm, puncture-proof  
Colour: black, silver rim  
Incl. hair guard spacer (5.3 mm)



### Caster fork Standard



A9000500100-K001  
with screwed axle

A9000500100-K002 € 162.50  
with quick-release axle



## Drive wheels

### Drive wheel 18-spoke aluminum rim

24" (ETRTO 540)  
A9000203123  
**weight: 715 g/Stk.**



with Liteline hub, radially spoked  
Inlet in frame colour  
Not in combination with:  
- Transport restraint connection  
- Handbike  
up to 70 kg body weight:

Sturz	1°	4°	6°	8°	10°
Gewicht					
bis 50 Kg	✓	✓	✓	✓	✓
51 - 60 Kg	✓	✓	✓	✓	
61 - 70 Kg	✓	✓			



### Spine Spinerger „Everyday Light Extreme“ with 12 PBO spokes; rim and hub in black, spokes in white



24" (ETRTO 540)  
A9000203554 € 929.30  
**weight: 710 g/Stk.**

Recommendation: up to 70 kg body weight,  
not in combination with handbike/traction  
device use.



### Spinerger „Everyday Light Extreme“ with 12 PBO spokes; rim, hub and spokes in black



24" (ETRTO 540)  
A9000203552 € 929.30  
**weight: 710 g/Stk.**

Recommendation: up to 70 kg body weight,  
not in combination with handbike/traction  
device use.



### Drive wheel 36-spoke aluminum rim

24" (ETRTO 540)  
A9000203000-010  
**weight: 877 g/Stk.**

with Liteline hub



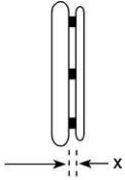
### Spinerger wheel "Spox Sport" with 24 PBO spokes; rim, hub and spokes in black

24" (ETRTO 540)  
A9000203550 € 761.30  
**weight: 730 g/Stk.**



## Handrims

x = dimension handrim attachment



Handrim attachment  
general:

- x = 11 mm  
 x = 19 mm

Handrim attachment  
Curve handrim:

- x = 10 mm  
 x = 18 mm

If not specified, the handrim will be mounted wide (19 mm / 18 mm).

### Aluminum Ø 19 mm silver anodised



- 24" handrim for  
24" wheel and 25" wheel  
A9000205019-004  
**weight: 295 g/Stk.**



### Titan Ø 19 mm

- 24" handrim for  
24" wheel and 25" wheel  
A9000205040-004  
**weight: 418 g/Stk.**

€ 325.80



### Curve schwarz eloxiert, ergonomisches Greifringprofil

- 24" handrim for  
24" wheel and 25" wheel  
H 24 mm, Gr. S  
A9000205130-004  
**weight: 330 g/Stk.**

€ 389.10



## Tyres

### Schwalbe „One“



- 24x1" (540-25)  
A9000204123-004  
**weight: 205 g/Stk.**

€ 90.30

Colour: Black  
9 bar



### Schwalbe „Marathon Plus Evolution“ with “smart guard” puncture protection

- 24x1" (540-25)  
A9000204030-014  
**weight: 512 g/Stk.**

€ 47.80

Colour: Black  
10 bar



### Schwalbe „RightRun“ High-pressure tyres

- 24x1" (540-25)  
A9000204001-004  
**weight: 294 g/Stk.**

Colour: Black  
7.5 bar



### Notes and remarks:

(Note: If you would like to choose other options, please note the items with item number from the "TRAVELER 4you Ergo" order sheet below)

### Location, Date

The signature field is intended for the consultant and insured person. This confirms that the intended equipment is intended for the insured person.

### Signature End customer/dealer